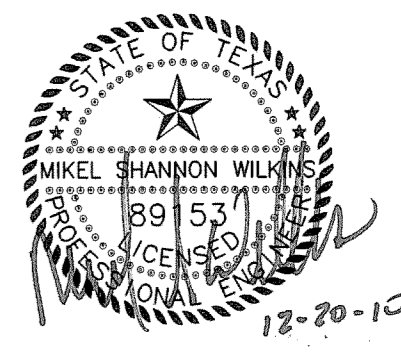




scale:
dsnd: MSW
drawn: CJ
approved:

ELM FORK ATHLETIC COMPLEX

for
City of Dallas
Park and Recreation Department

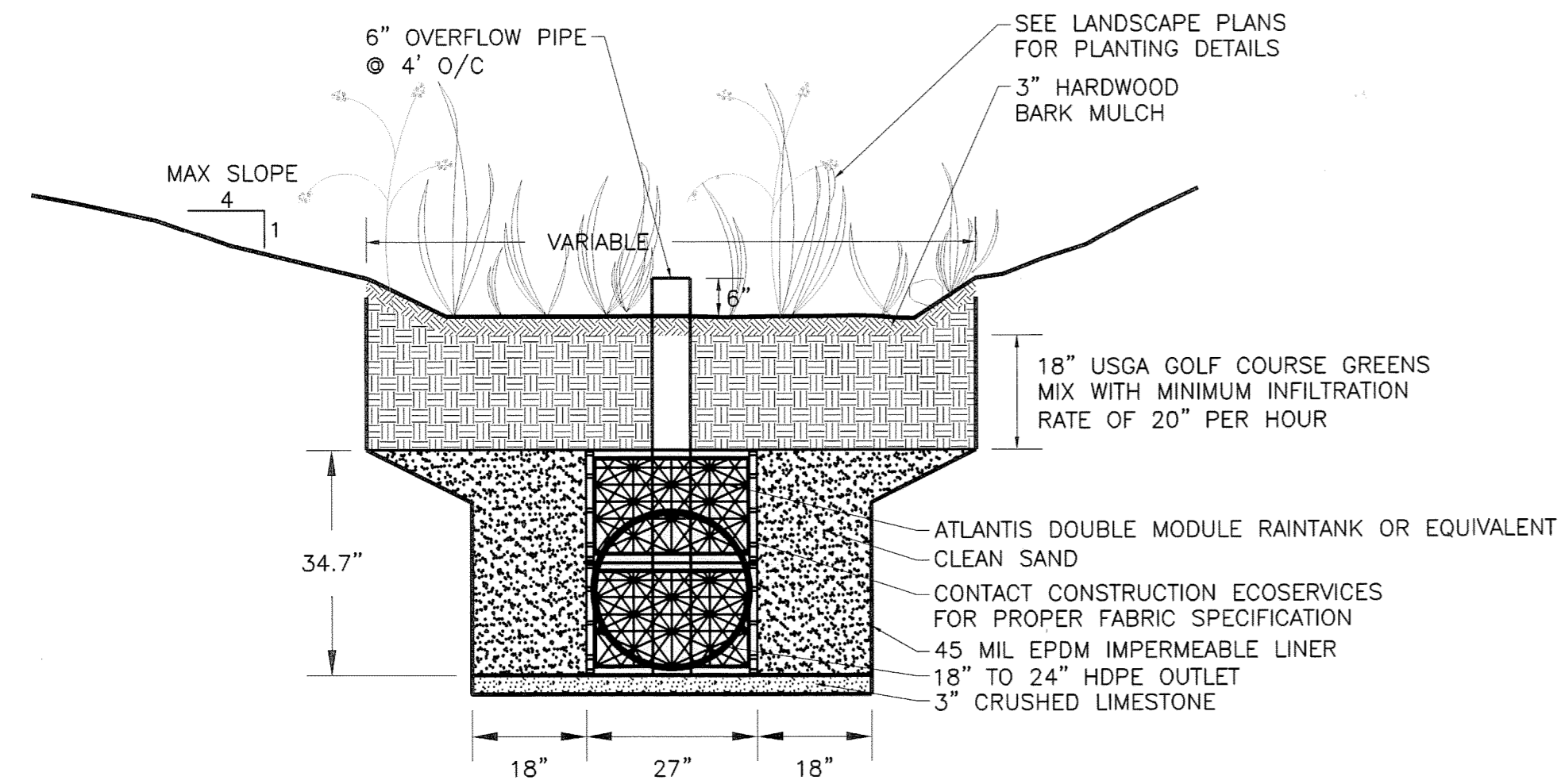


Freese and Nichols, Inc.
Texas Registered Engineering Firm F-2144

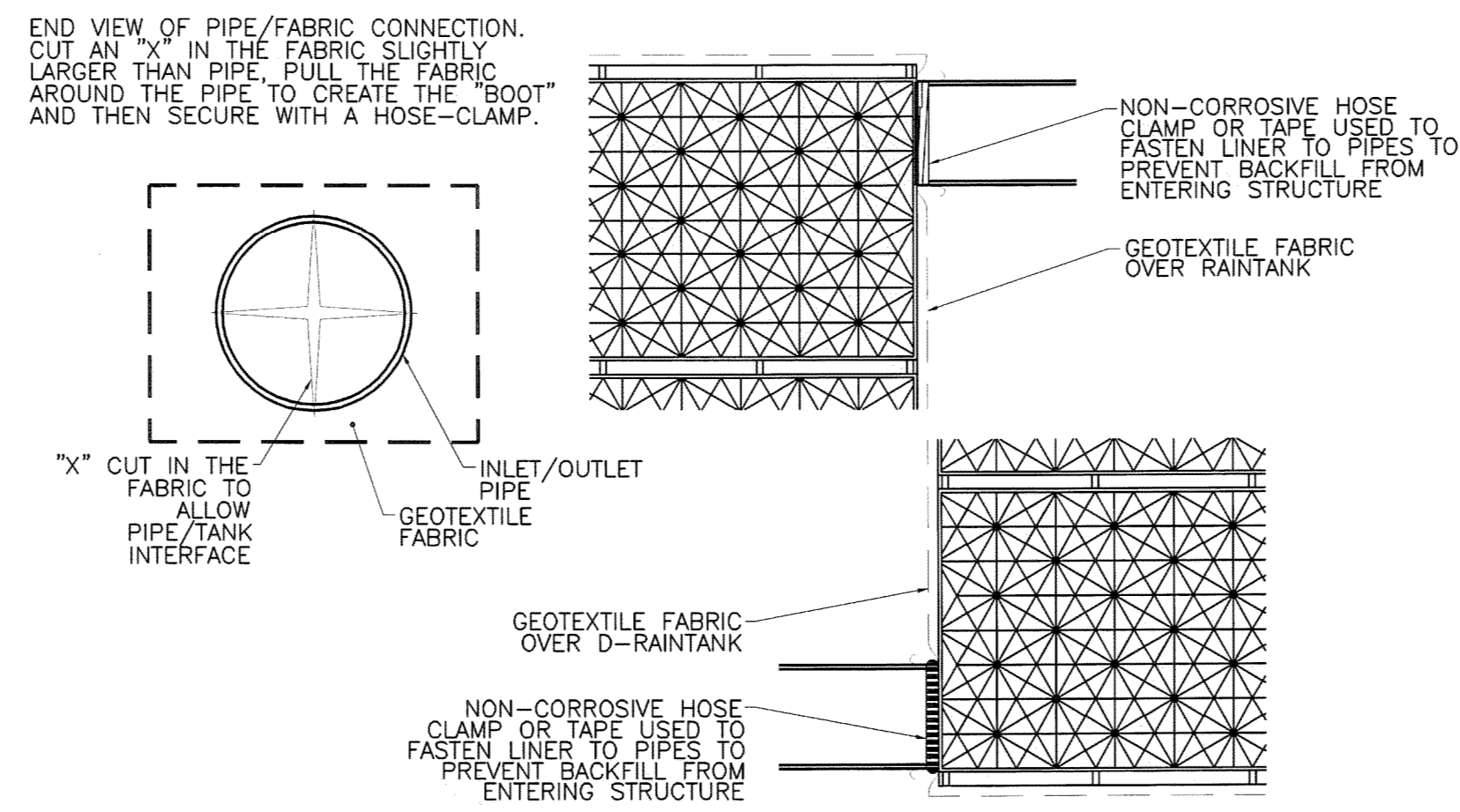
Issued for Bid
DECEMBER 20, 2010

DRAINAGE DETAILS

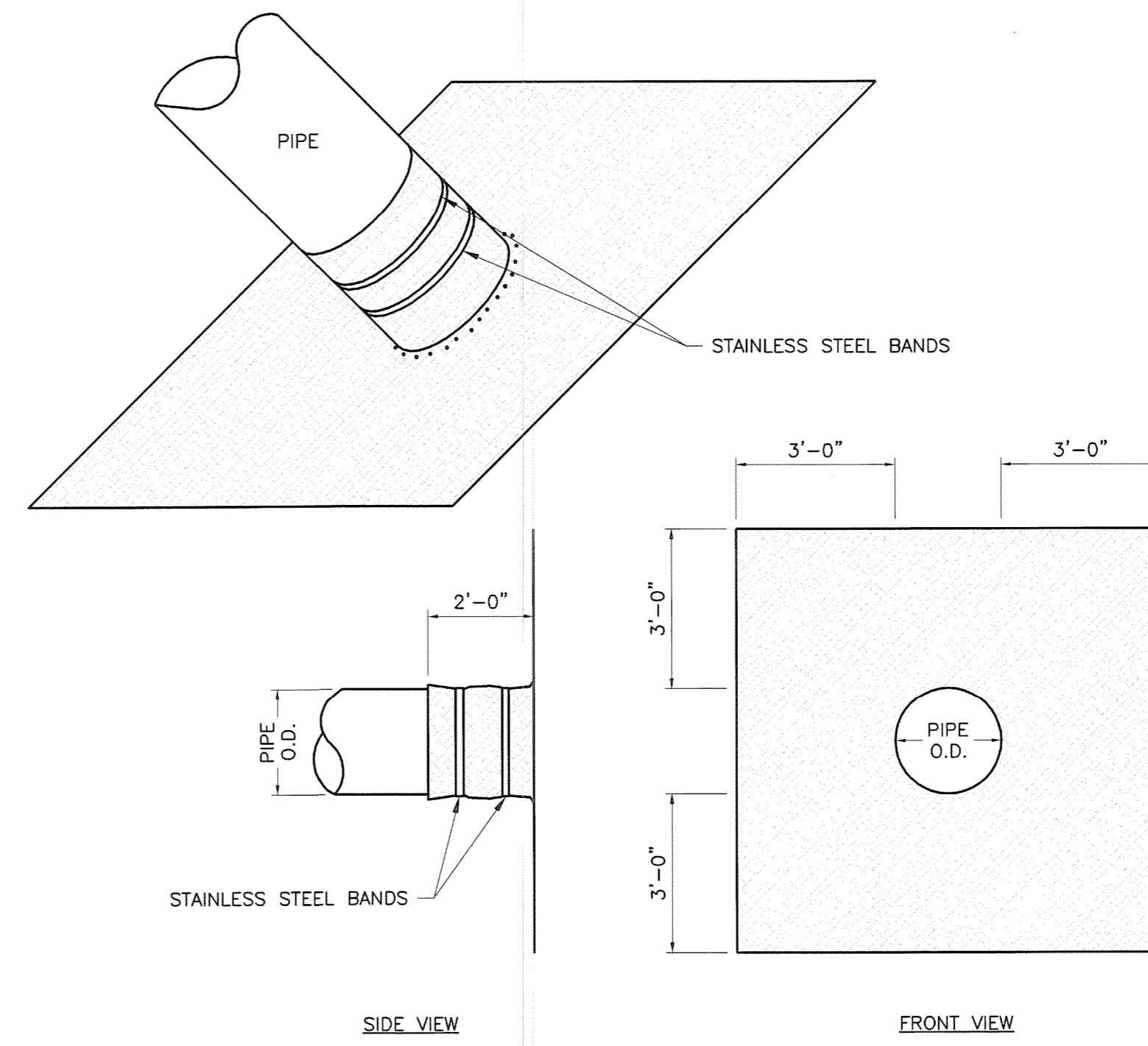
C-24 OF 50



1 BIORETENTION CELL
NOT TO SCALE

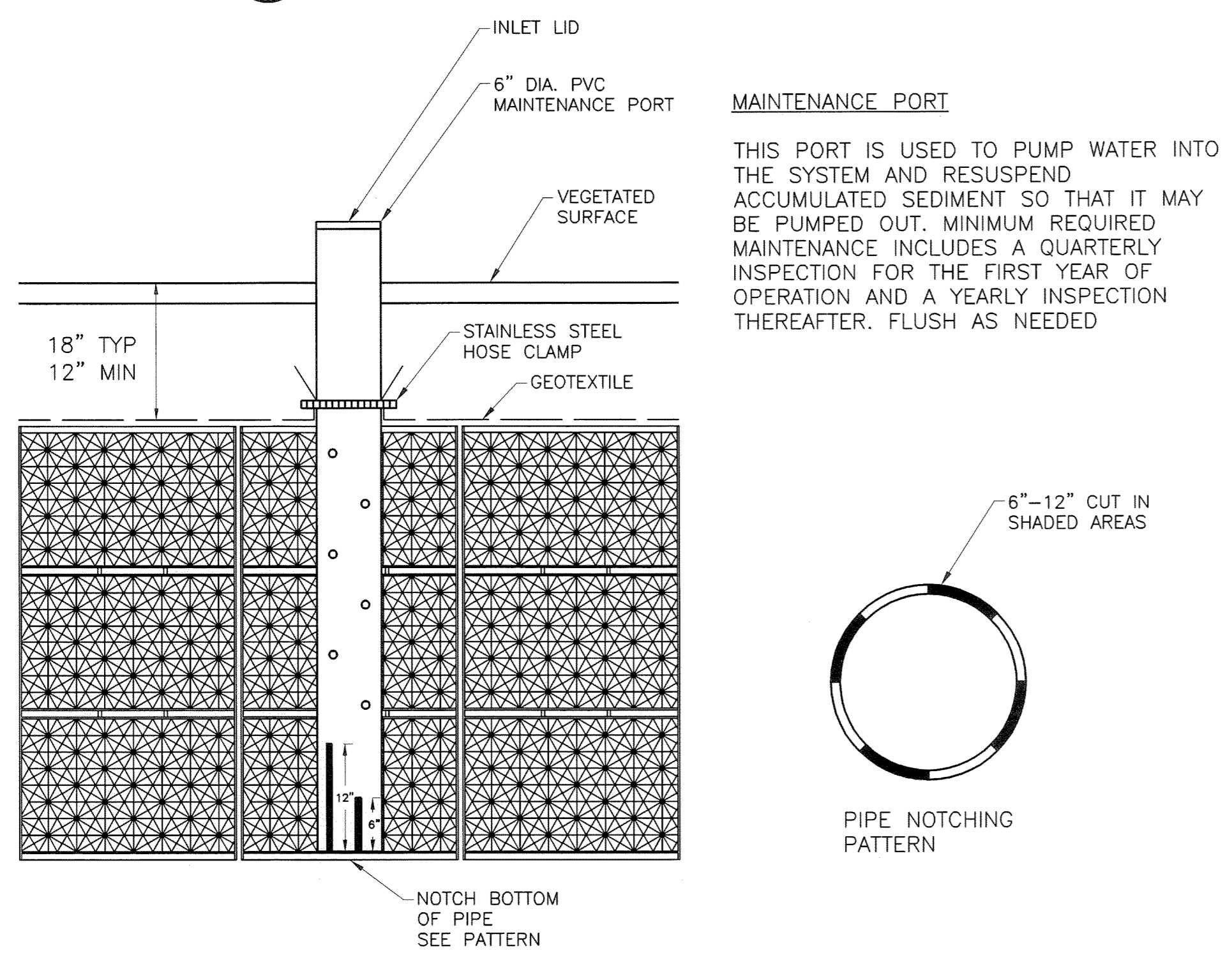


2 FABRIC PIPE BOOT FOR RAIN TANK
NOT TO SCALE

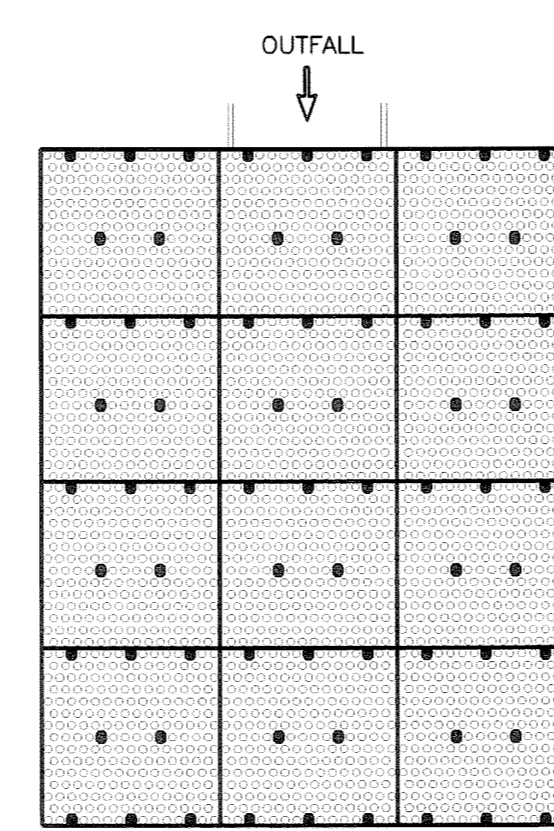
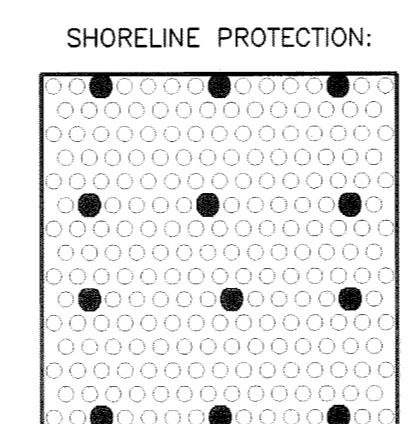


3 OUTLET/INLET CONNECTION
NOT TO SCALE

- 120Z/SY NONWOVEN GEOTEXTILE
- FABRIC COLUMN TO FIT OUTSIDE DIAMETER OF INLET/OUTLET PIPE
- FLAP BUTTS AGAINST RAIN TANK AND EXTENDS 3' FROM EDGE OF PIPE



4 OVERFLOW PIPE
NOT TO SCALE



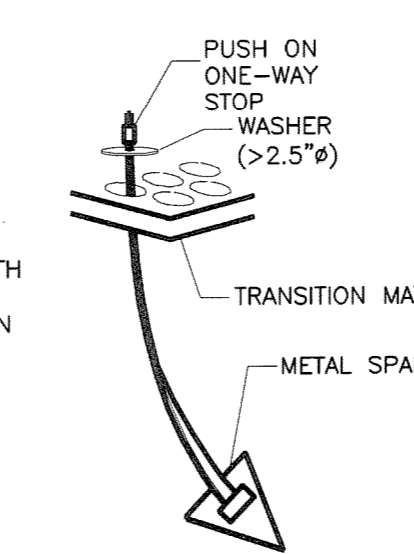
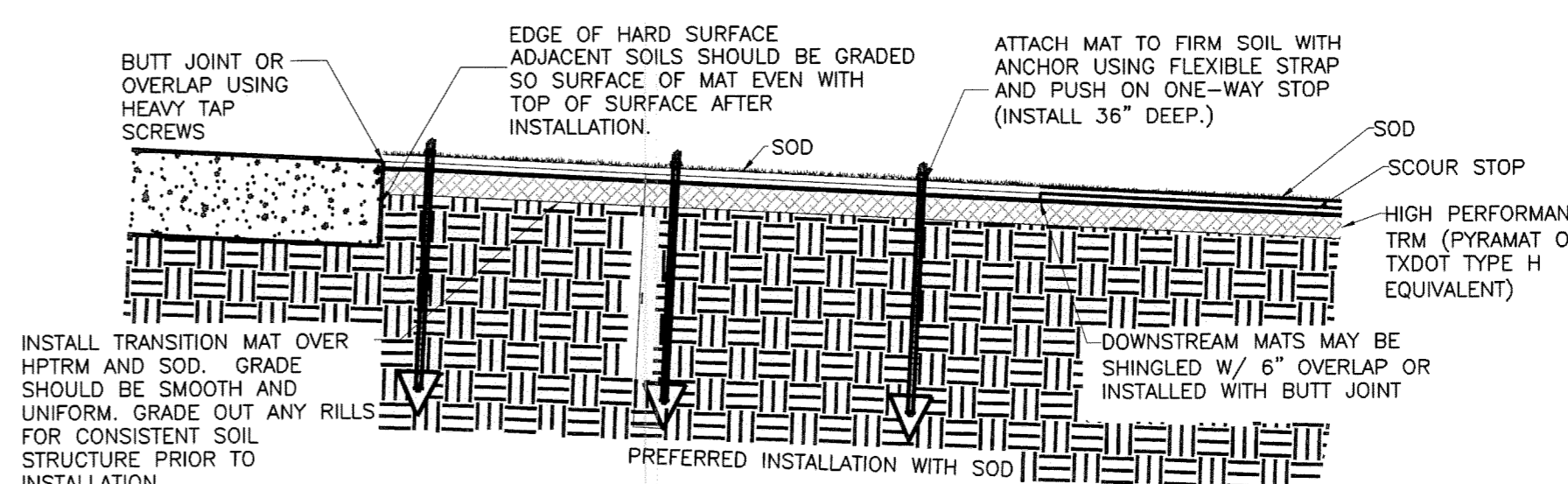
*FOR MORE INFORMATION ON REINFORCED SOD, CONTACT JOHN CRIDER WITH EROSION SOLUTIONS, LLC; ROSSVILLE, KS (785-584-6050).

- NOTES:**
1. INSTALLATION TO BE COMPLETED IN ACCORDANCE WITH MANUFACTURERS SPECIFICATIONS.
 2. DO NOT SCALE DRAWINGS.
 3. CONTRACTORS NOTE: FOR PRODUCT AND COMPANY INFORMATION VISIT www.CADdetails.com/info REFERENCE NUMBER 714-010.

ANCHOR CONFIGURATION FOR SLOPES STEEPER THAN 5:1; TRANSITION MATS OVER A MIN. 8 OZ. GEOTEXTILE

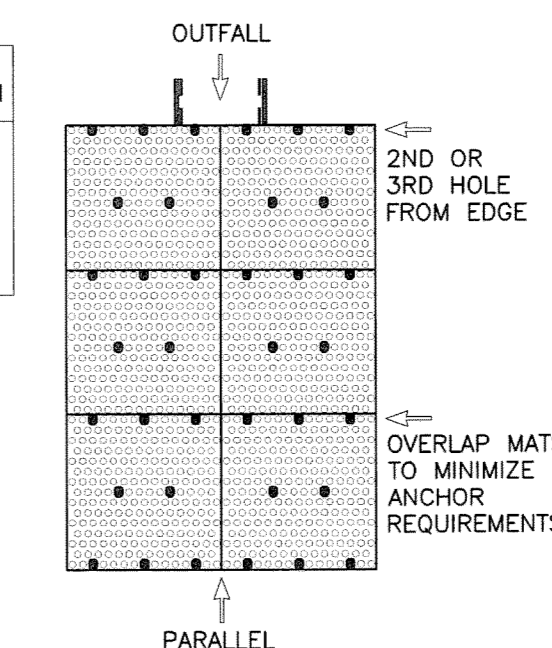
POSITION ANCHORS TO SECURE SCOURSTOP MATS FLUSH WITH SOIL SURFACE. MINIMIZE GAPS OR BRIDGING.

ANCHOR REQUIREMENTS*:
FIRST ROW OF SCOURSTOP MATS - MINIMUM OF 8 ANCHORS
SECOND ROW OF SCOURSTOP MATS - MINIMUM OF 5 ANCHORS
*TO ACHIEVE CONSISTENT CONTACT WITH THE SOIL, EXCEED THE MINIMUM ANCHOR REQUIREMENT AT INSTALLATION



PIPE DIAMETER	DISCHARGE (CFS)	SCOURSTOP WIDTHxLENGTH
12"	8	4' x 4'
24"	30	4' x 8'
36"	75	8' x 12'
48"	100	12' x 16'
60"	150	12' x 20'
72"+		SEE DETAILS

ADD EXTRA ANCHORS IF NECESSARY TO ENSURE CONSISTENT CONTACT WITH SOIL, OR IMPROVE SOIL SURFACE SMOOTHNESS.



5 SCOURSTOP MAT TYPE H INSTALLATION
NOT TO SCALE